

butterfly valve



triple offset design



Standard Valve Design:

API 609	Butterfly Valves: Double-flanged, Lug- and Wafer-type
BS EN 593	Industrial Valve – Metallic Butterfly Valve
BS EN 12516	Industrial valves — Shell design strength
ISO 14313	Petroleum and natural gas industries -- Pipeline transportation systems -- Pipeline valves
ISO 5211	Industrial valves — Part-turn actuator attachments
API 607	FireSafe Design
NACE MR-01-75	Petroleum and natural gas industries— Materials for use in H2S-containing Environments in oil and gas production

American National Standard

ASME/ANSI B 16.10	Face - to - face and end - to - end dimensions on ferrous valves
ASME/ANSI B 16.5	Steel pipe flanges and flanged fittings
ASME/ANSI B 16.34	Steel valves-flanged and butt weld end
ASME/ANSI B 31.1	Chemical plant and petroleum refinery piping
ASME B 31.4	Liquid petroleum transportation piping systems
ASME B 31.8	Gas transmission and distribution piping systems
ASME B16.34	Valves Flanged, Threaded and Welding End



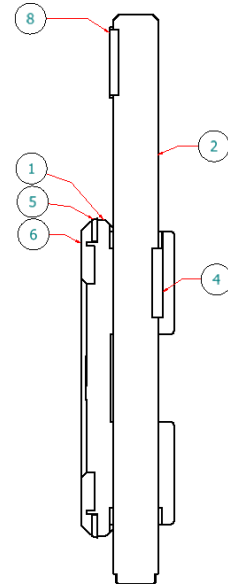
Design features

- Metal Seated Ring in Duplex and hard facing seat in Stellite® for high reliability application
- The eccentric mounted disc design offer a linear flow path characteristic with excellent flow control over 90° disc rotation
- Suitable for throttling or on/off control applications due to tight closing design contact between seal ring and the seat offer a zero-leakage flow
- Bi-directional disc design
- Short distance angle contact between seal ring and the seat approximately 1.2° offer absolute non-rubbing or interference between seal ring and seat
- A single pieces body design in forge material added with fire-safe design for high product integrity
- Interchangeability with other valve due flange and face to face dimension design conform to API, ASME, ISO and BS standards
- High reliability shaft assembly guided with high quality bearing and washer offer smooth 90° rotation with low torque distribution
- Blowout Proof Shaft Design with multi-layer seal offer good emission control conform to EPA standard for valves

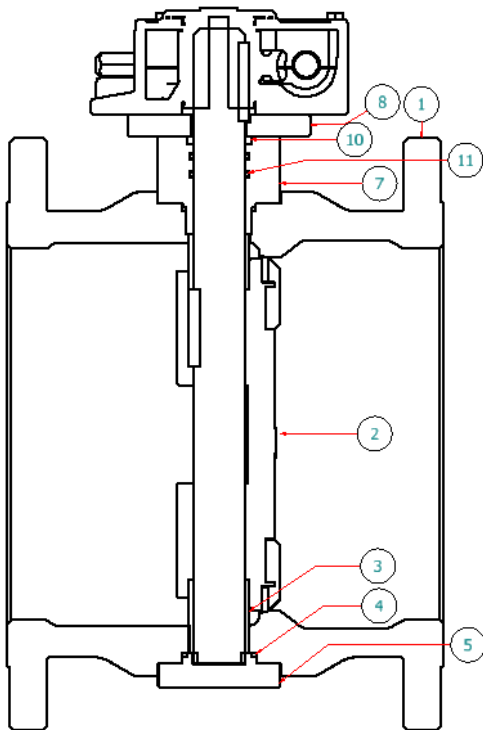


DISC ASSEMBLY							
Item	Description	Material Selection			Insert Option		
		Nickel Aluminium Bronze	Stainless Steel	Duplex	Metal to Metal	Soft Insert	Max Operating Temp (°C)
1	DISC	B150	F316	F51	F51 + TCC	TEFLON [®] (VIRGIN OR FILLED)	-80 TO +200
2	SHAFT	17.4PH	17.4PH	F51		KELF [®]	-150 TO +100
3	SHAFT NUT	B150	B8M	B8M		TEFLON [®]	-80 TO +140
4	SHAFT KEY	AISI 410	F316	F51		FEP TEFLON [®]	-80 TO +200
5	INSERT	F51 + PTFE	F51 + PTFE	F51 + PTFE		PFA NYLON [®] 12	-20 TO +100
6	INSERT SEAL	PTFE	PTFE	PTFE		DEVLON V API	-20 TO +100
7	DISC COVER	B150	F316	F51		PEEK [®]	-80 TO +160
8	DISC SCREW	B150	B8M	B8M		TURCITE [®] 243	-200 TO +250
9	SHAFT KEYWAY	AISI 410	F316	F51		VESPEL [®] SP 21	-200 TO +26

Disc Assembly



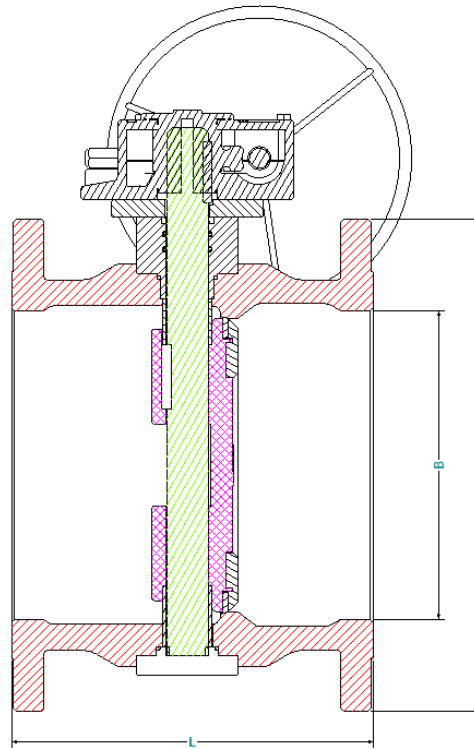
Valve Assembly



Item	Description	Material Construction				
		A105	LF2	F316	F51	B150
1	BODY	A105	LF2	F316	F51	B150
2	DISC ASSEMBLY	**	**	**	**	**
3	LOWER BEARING	F316 + PTFE	F316 + PTFE	F316 + PTFE	F51 + PTFE	F316 + PTFE
4	WASHER	F316 + PTFE	F316 + PTFE	F316 + PTFE	F51 + PTFE	F316 + PTFE
5	FLANGE SEAL	PTFE	PTFE	PTFE	PTFE	PTFE
6	FLANGE	A105	LF2	F316	F51	B150
7	UPPER BEARING	F316 + PTFE	F316 + PTFE	F316 + PTFE	F51 + PTFE	F316 + PTFE
8	BONNET	A105	LF2	F316	F51	B150
8a	BONNET SEAL	PTFE	PTFE	PTFE	PTFE	PTFE
9	MOUNTING	A105	LF2	F316	F51	F316
10	BONNET SCREW	B7	L7M	B8M	B8M	B150
11	UPPER SEAL	PTFE	PTFE	PTFE	PTFE	PTFE
12	SHAFT SEAL	VITON AED	VITON AED	VITON AED	VITON AED	VITON AED



Double Flange



DOUBLE FLANGE LONG - FACE TO FACE API 609 LONG PATTERN - ASME B16.10 CLASS 150						
DN	INCH	B	F	L	VALVE Kg	TOTAL Kg
80	3	74	190	203	32	39
100	4	100	230	229	48	55
150	6	150	280	267	66	73
200	8	201	345	292	98	109
250	10	252	405	330	135	146
300	12	303	485	356	179	192
350	14	334	535	381	230	243
400	16	385	595	406	303	333
450	18	436	635	432	366	396
500	20	487	700	457	448	478
600	24	589	815	408	647	693

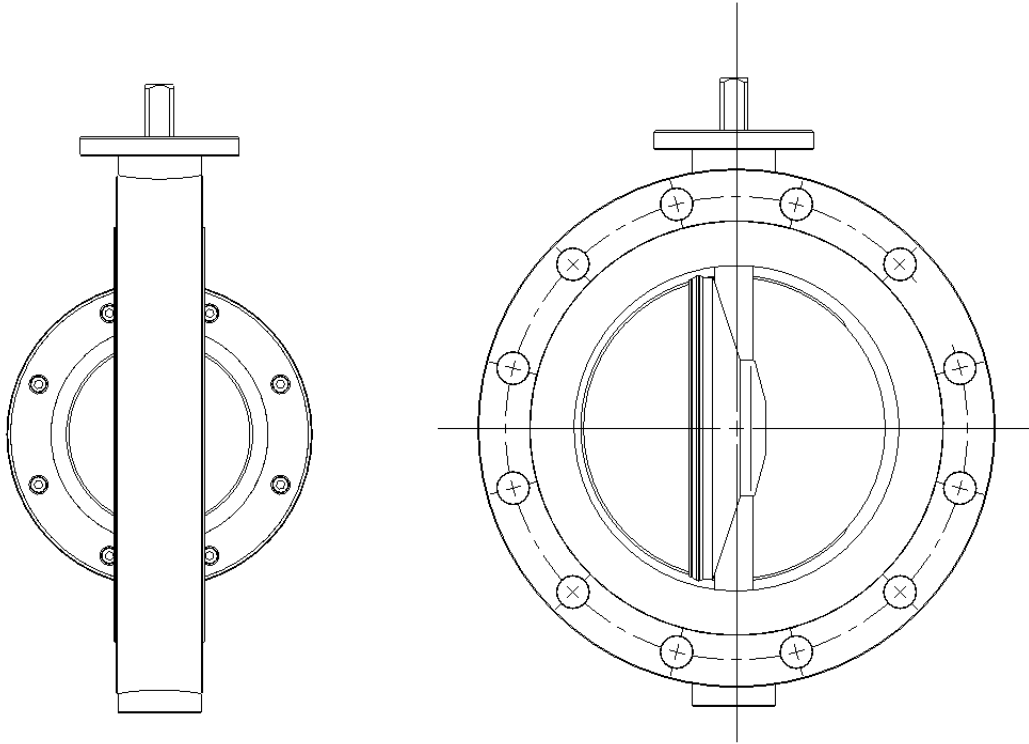
DOUBLE FLANGE LONG - FACE TO FACE API 609 LONG PATTERN - ASME B16.10 CLASS 300						
DN	INCH	B	F	L	VALVE Kg	TOTAL Kg
80	3	74	210	283	40	47
100	4	100	255	305	57	64
150	6	150	320	405	102	113
200	8	201	380	419	145	158
250	10	252	445	457	223	236
300	12	303	520	502	301	331
350	14	334	585	762	414	444
400	16	385	650	838	585	631
450	18	436	710	914	767	814
500	20	487	775	991	897	944
600	24	589	915	1143	1355	1520

DOUBLE FLANGE LONG - FACE TO FACE API 609 LONG PATTERN - ASME B16.10 CLASS 600						
DN	INCH	B	F	L	VALVE Kg	TOTAL Kg
80	3	74	210	356	61	68
100	4	100	275	432	95	105
150	6	150	355	559	165	178
200	8	201	420	660	265	295
250	10	252	510	787	456	502
300	12	303	560	838	596	643
350	14	334	605	889	706	871
400	16	385	685	991	982	1147
450	18	436	745	1092	1231	1403
500	20	487	815	1194	1669	1959
600	24	589	940	1397	2514	2804



Wafer and Lug Type Design

(For detail please contact factory)



AJ PETROLEUM SDN BHD
2-C Pusat Teknologi Sunsuria
Jalan Teknologi
Kota Damansara PJU 5
47810 Petaling Jaya, Selangor
T. 603 6151 9112 F. 603 6151 9114

